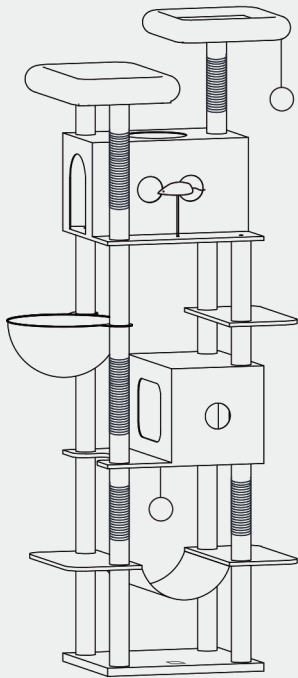


Globlazer

Your love, We prove



S80B Cat Tree

General Guidelines

- Please read the following instructions carefully and use the product accordingly.
- Please keep this manual and hand it over when you transfer the product.
- This summary may not include every detail of all variations and necessary steps. Please contact us when further information and help are needed.

Notes


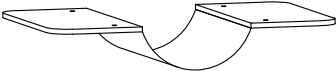
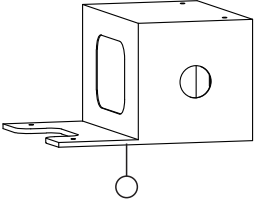


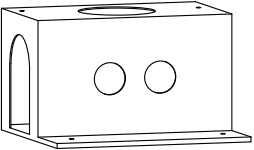
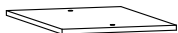





- The scratching post is only intended for cats to play, climb, and sharpen their claws. The seller does not assume any responsibility or liability with respect to any damage caused by incorrect assembly or improper use.
- The product is intended for indoor use only, not for commercial use or outdoor use.
- During the installation, please follow the correct steps and take necessary security measures, such as wearing a pair of gloves, to avoid injuring your hands.
- After installation, please check and tighten all screws. Then, 2-3 days later, check again to ensure that the screws are properly tightened.
- Check the firmness of all the screws at least once a month.
- Do not put any other objects on the cat tree.
- After assembly, place the product in a well-ventilated area for 3-5 days to eliminate the smell.
- Make sure the product is placed on an even floor to prevent toppling hazards. It is recommended to place it against a wall corner and use the included anti-toppling fittings to secure it to the wall.
- Use a hair remover for daily care. Do not clean with water or other liquid detergents. Always keep the cat tree dry.
- Keep away from heat sources, humidity, and corrosive chemicals, and avoid direct sunlight. Otherwise, it may cause damage and shorten the lifespan of the product.

Warnings

- This product is not a toy. Do not stand or climb to avoid the risk of injuries. Keep away from children. Be aware of danger!
- If your cat starts to chew or eat the furry balls or elastic band, please remove the toys and keep them out of the reach of your cat.
- Persons with allergies should avoid assembling the product.
- Keep children away during assembly as small parts may be fatal if swallowed or inhaled. Keep all packaging materials (film, plastic bag, foam, etc.) out of the reach of children and babies to avoid choking, suffocation, and other potential risks.

Safety Advisory: If your cat is still young or particularly intrigued by the plush ball (featuring a toy bell) included with this product, please take the following precautions promptly to keep your pet safe:

- To minimize the risk of accidental swallowing, kindly remove the bell from the plush ball.
- Always supervise your cat while it plays with this toy, especially if there are no adults around, to prevent any potential mishaps.
- Regularly inspect the toy for wear and tear, ensuring it does not have any loose parts that could pose a risk.

<p>A X1</p> 	<p>B X1</p> 	<p>C X1</p> 
<p>D X1</p> 	<p>E X1</p> 	<p>F X1</p> 
<p>G X1</p> 	<p>H X1</p> 	<p>I X1</p> 
<p>J X1</p> 	<p>K X1</p> 	<p>P1 X6</p>  <p style="text-align: center;">300mm</p>

P2

X2



300mm

P3

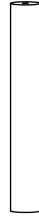
X2



420mm

P4

X1



420mm

P5

X2



124mm

P6

X4



250mm

P7

X1



132mm

P8

X1



124mm

P9

X8



275mm

W1

X31+1



M8X35mm

W2

X11+1



M8X65mm

W3

X1



W4

X1



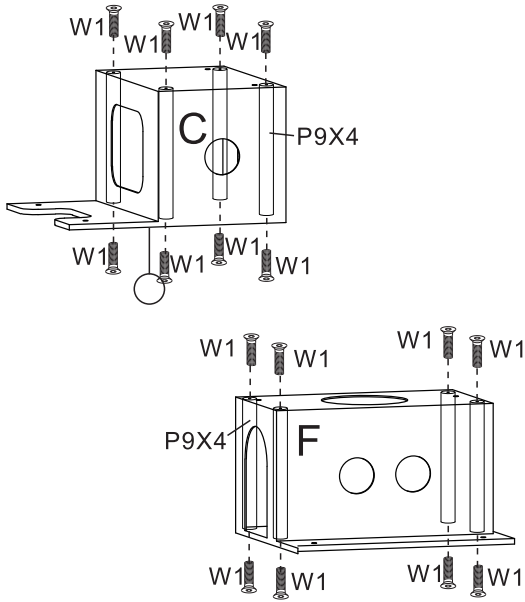
W5

X1



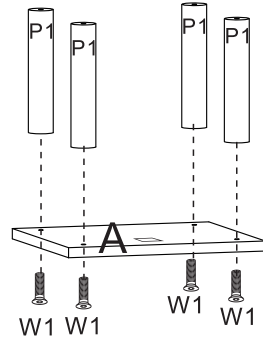
1

W1: 8X35mm
(16PCS)



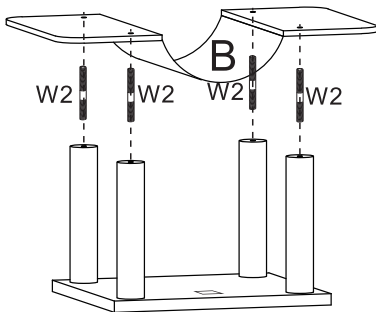
2

W1: 8X35mm
(4PCS)

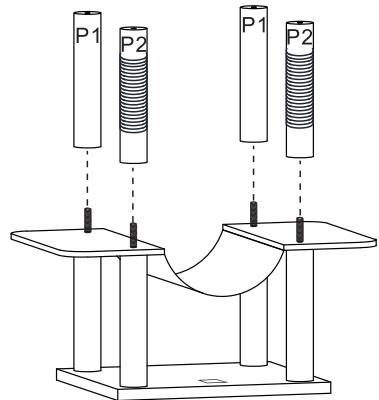


3

W2: 8X65mm
(4PCS)




4


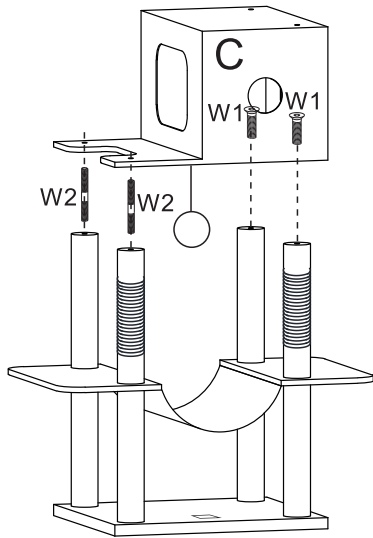


5


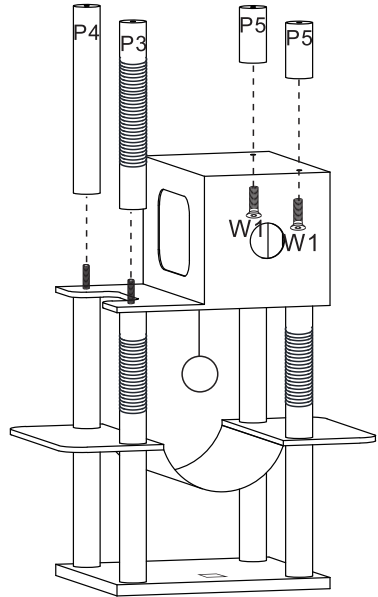
W1: 8X35mm

 (2PCS)


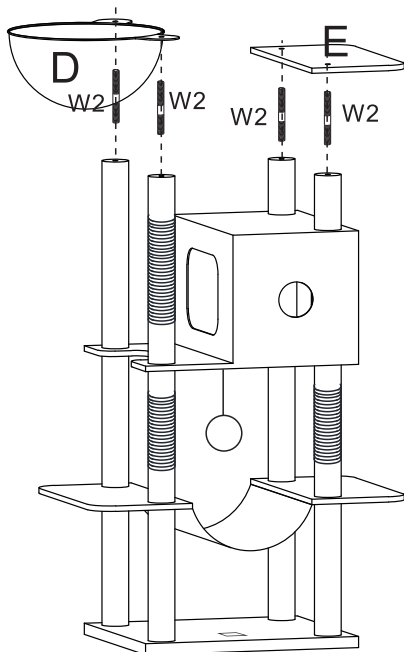
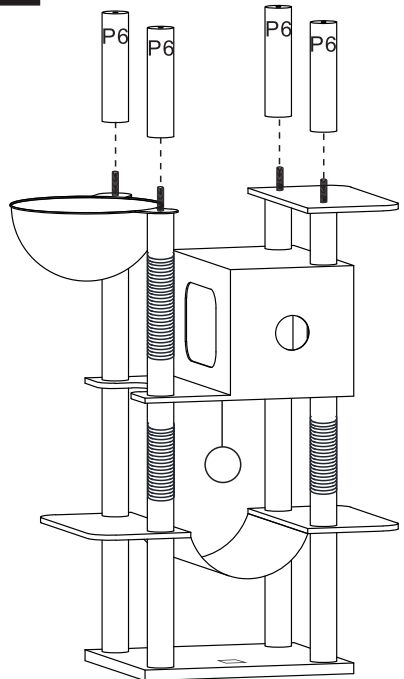
W2: 8X65mm

 (2PCS)**6**

W1: 8X35mm

 (2PCS)**7**

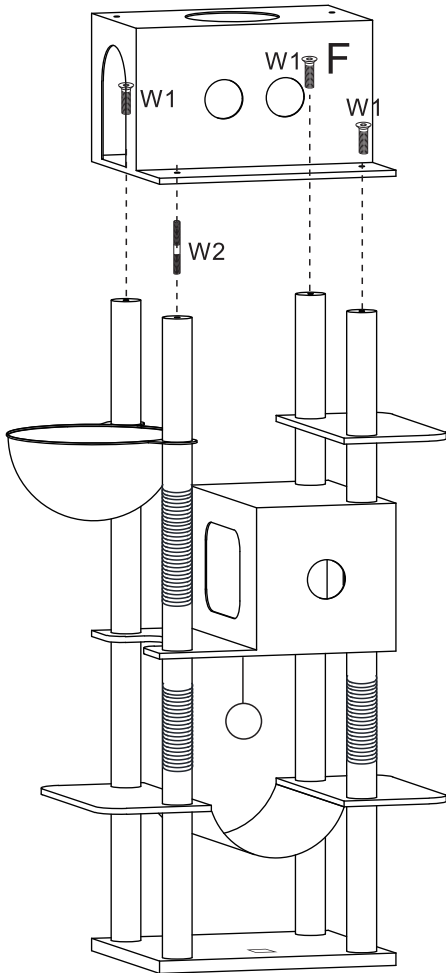
W2: 8X65mm

 (4PCS)**8**

9

W2: 8X65mm
— (1PC)

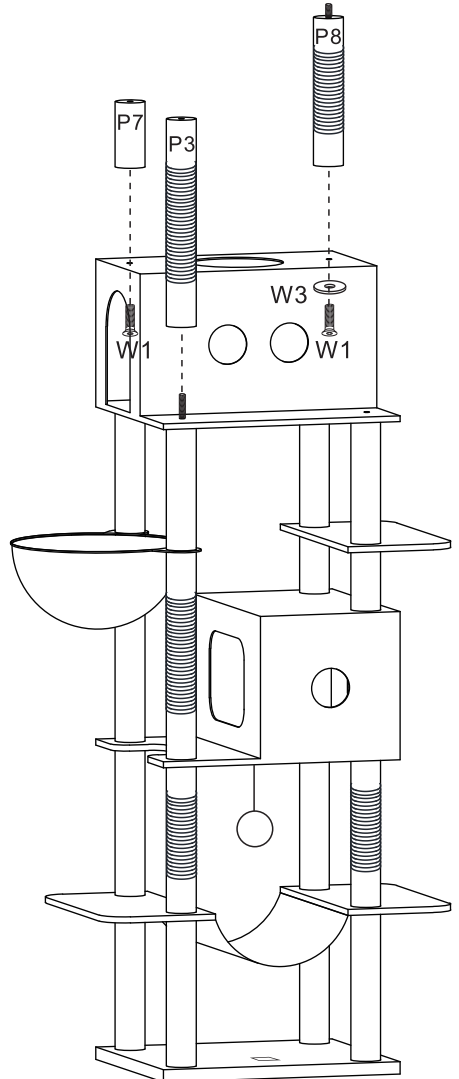
W1: 8X35mm
— (3PCS)



10

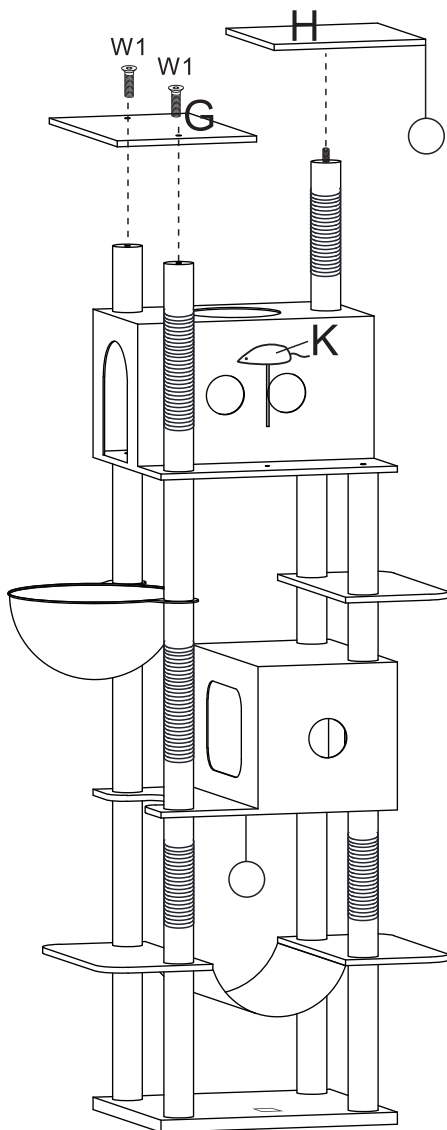
W1: 8X35mm
— (2PCS)

W3:
— (1PC)

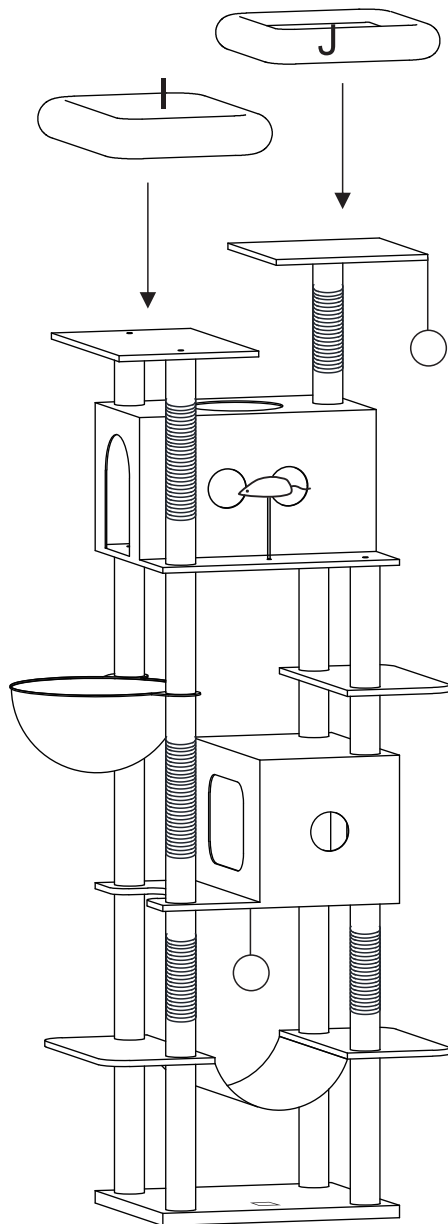


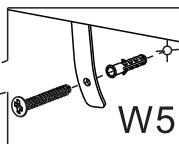
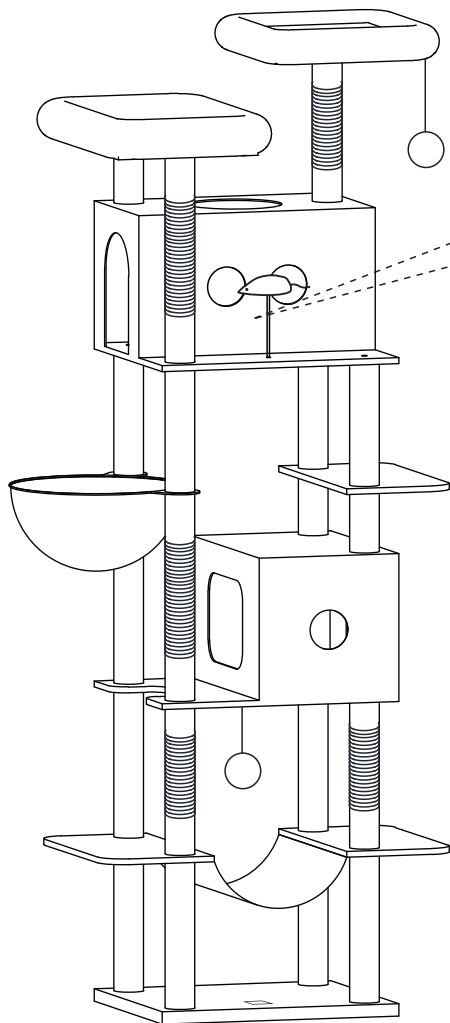
11

W1: 8X35mm
W1 (2PCS)



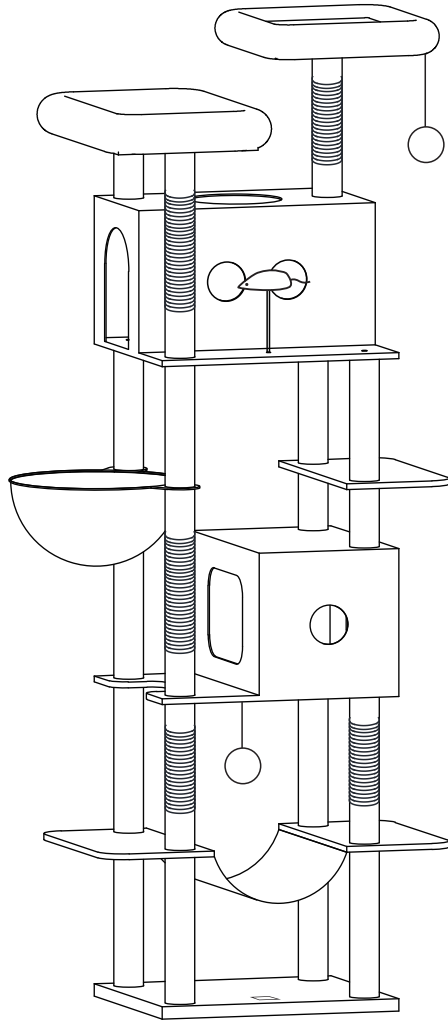
12



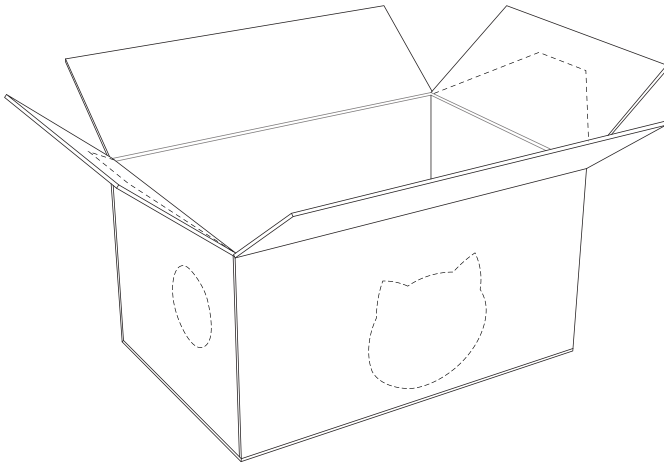
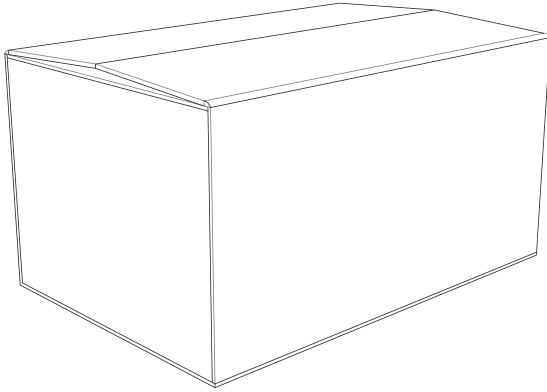


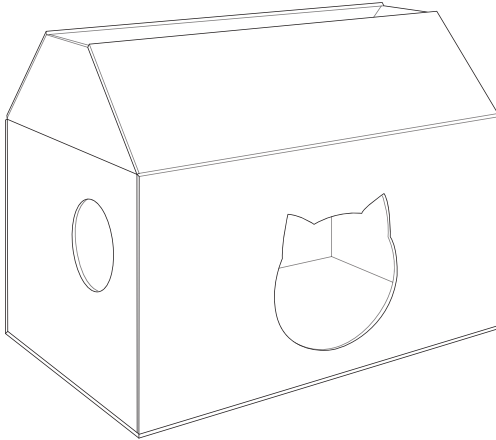
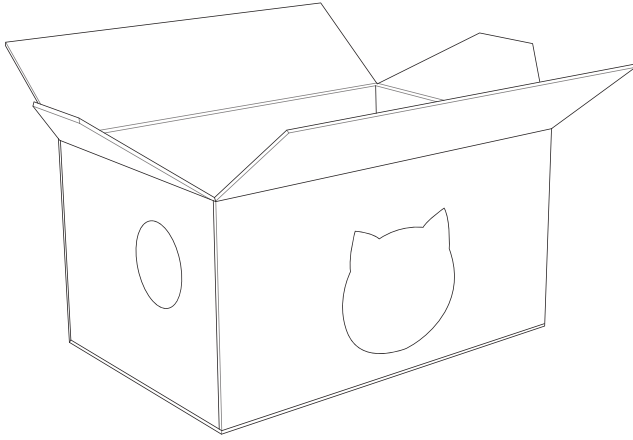
W5

Please use the anti-toppling strap to secure the cat tree to the wall to ensure its stability and safety!



Even the box it comes in can be made to a cat box with a pair of scissors and some tape in just a few simple steps (scissors and tape are not included).







Globlazer

Your love, We prove